

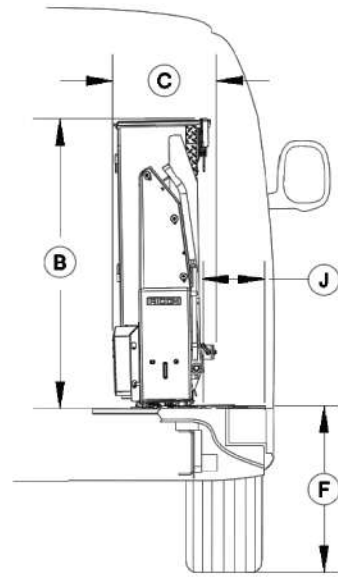
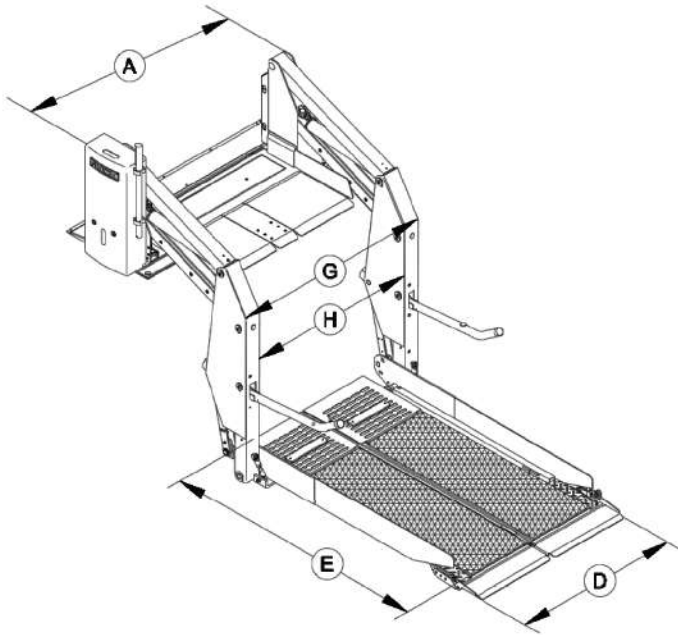


Ricon Wheelchair Lifts



Slide-Away™

Power electro-hydraulic	Rated load capacity 800 lbs***
Motor rating @ 12 volts DC 65.0 amp. avg/cycle, 1250 psi	Manual backup (up) hand pump
Hydraulic cylinders 2 ea, 1.5", power-up/gravity-down	Manual backup (down) pressure release valve
	Lift weight 360-390 lbs



MODEL	A	B	C	D	E	F	G	H	*I	**J
	Stationary frame width	Height (folded)	Installation depth (folded)	Usable platform width	Usable platform length	Floor-to-ground travel	Traveling frame width	Clear entry width	Stowed arms width	Installed depth
ST00	45.0	46.0	21.5	30.0	42.0	30.0	37.5	31.0	19.3 (max)	7.0
ST01	45.0	52.0	21.5	30.0	48.0	30.0	37.5	31.0	19.3 (max)	7.0

*Item "I" is not shown. **Measurement for item "J" is taken from front edge of baseplate to door sill. ***Lift can be rated 800 lbs. with optional install kit.