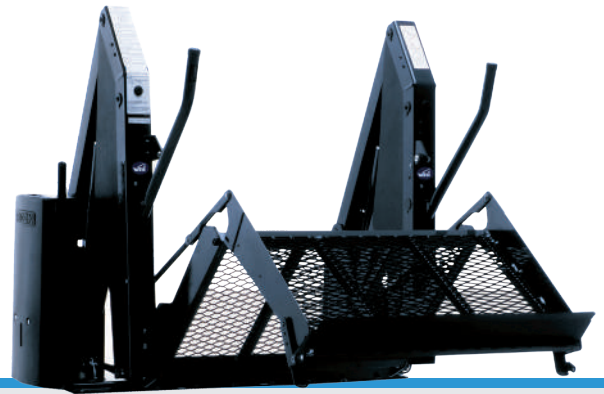


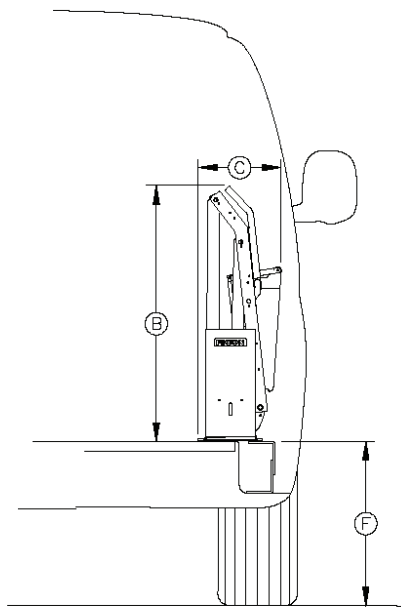
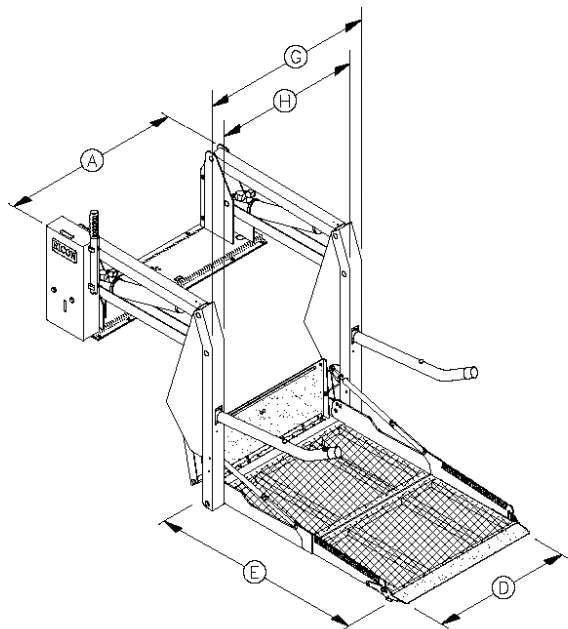


Ricon Wheelchair Lifts



KlearVue™

Power.....	electro-hydraulic	Rated load capacity	600 lbs
Motor rating @ 12 volts DC	65.0 amp. avg/cycle, 1250 psi	Manual backup (up).....	hand pump
@ 24 volts DC	32.5 amp. avg/cycle, 1250 psi	Manual backup (down).....	pressure release valve
Hydraulic cylinders	2 ea, 1.5", power-up/gravity-down	Lift weight	310 - 325 lbs



	A	B	C	D	E	F	G	H
MODEL	Stationary frame width	Height (folded)	Installation depth (folded)	Usable platform width	Usable platform length	Floor-to-ground travel	Traveling frame width	Clear entry width
K1132	43	38.6	15.5	26	38	24	33.5	29.25
K1200	47	38.5	15.5	30	44	28	37.5	29.25
K1203	47	43.6	15.5	30	51	28	37.5	29.25
K1205	49	43.6	15.5	32	51	28	39.5	31.25